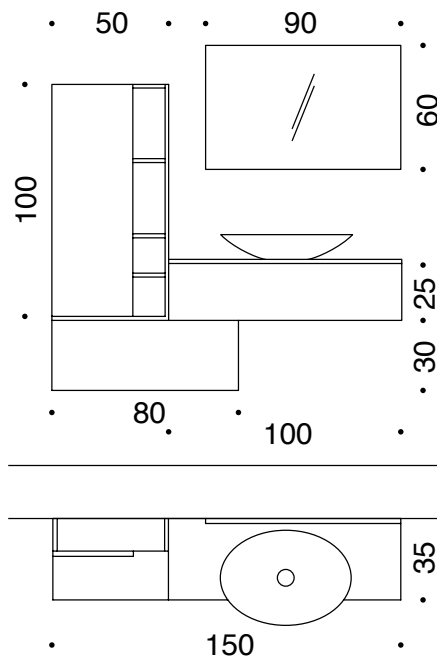
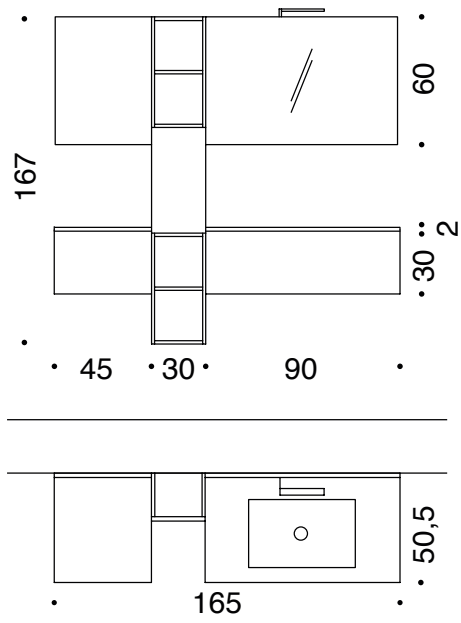


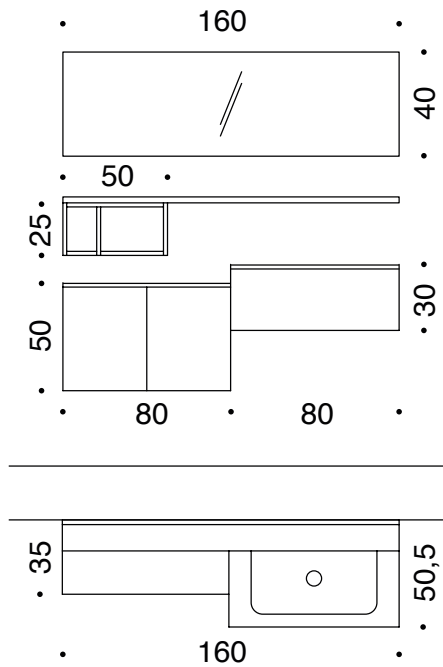
OPEN - COMP. 221



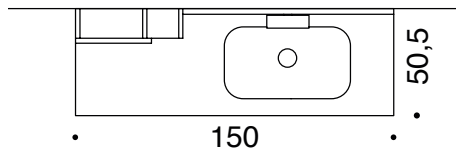
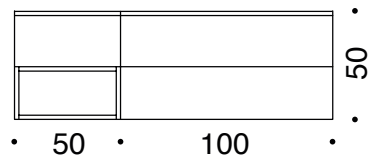
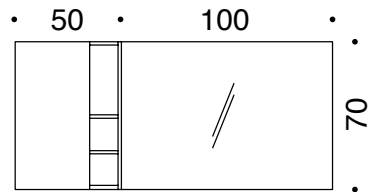
OPEN - COMP. 222



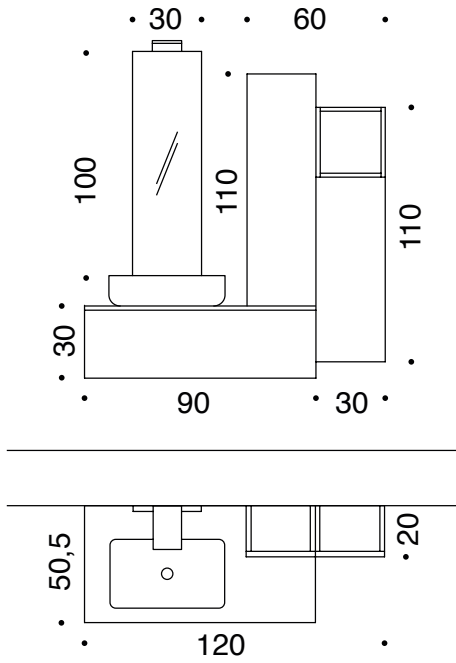
OPEN - COMP. 223



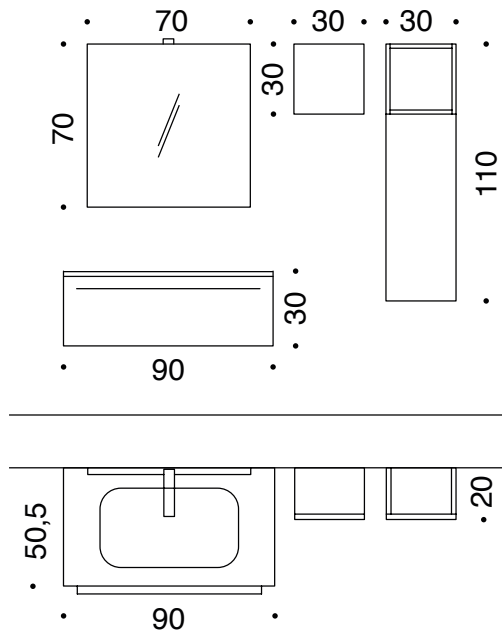
OPEN - COMP. 224



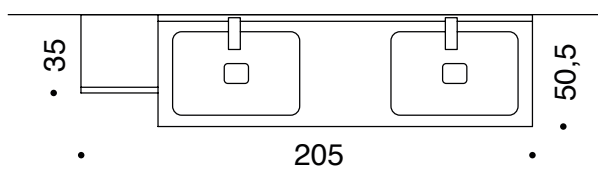
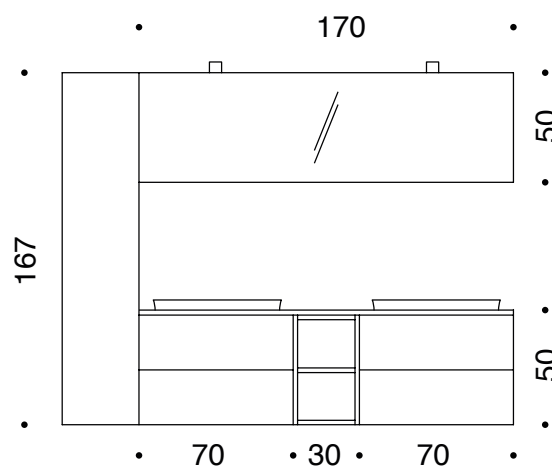
OPEN - COMP. 225



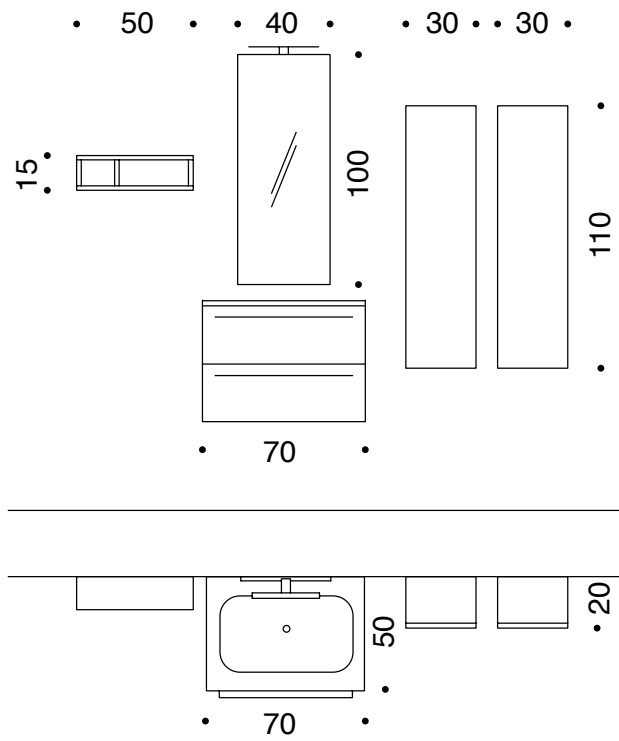
OPEN - COMP. 226



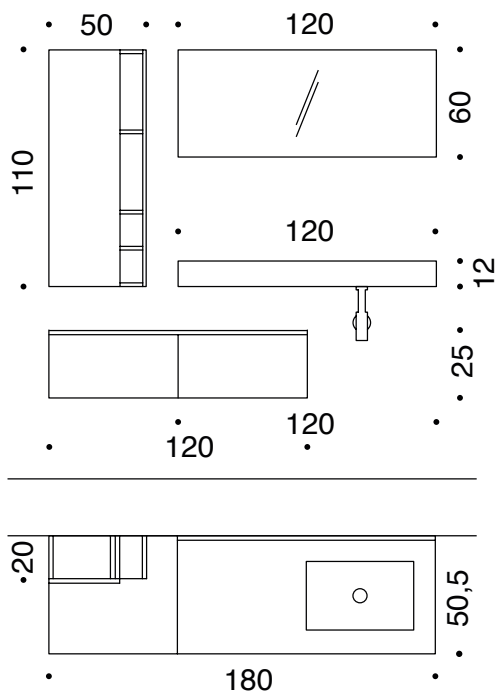
OPEN - COMP. 227



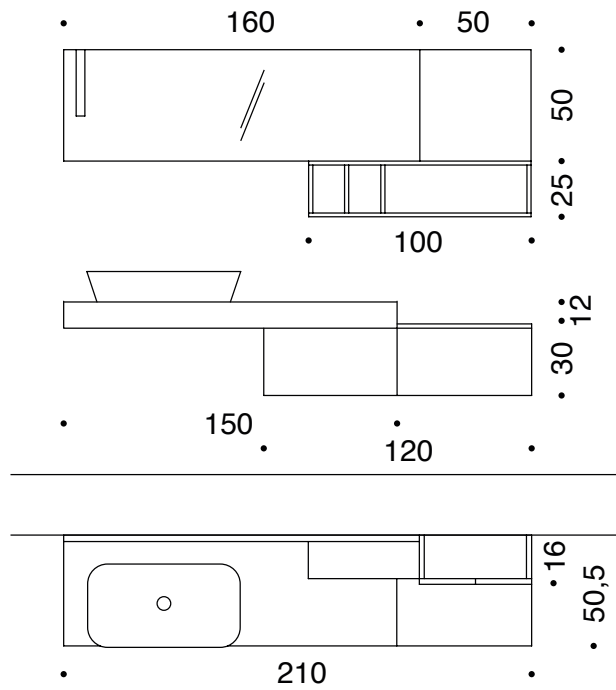
OPEN - COMP. 228



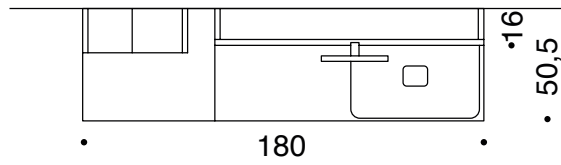
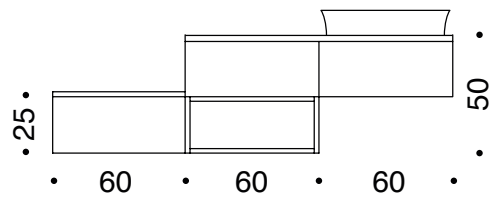
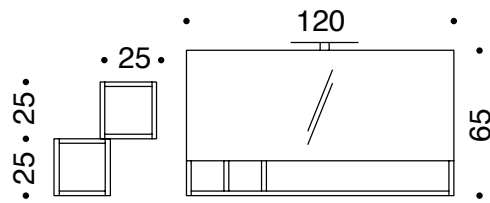
OPEN - COMP. 229



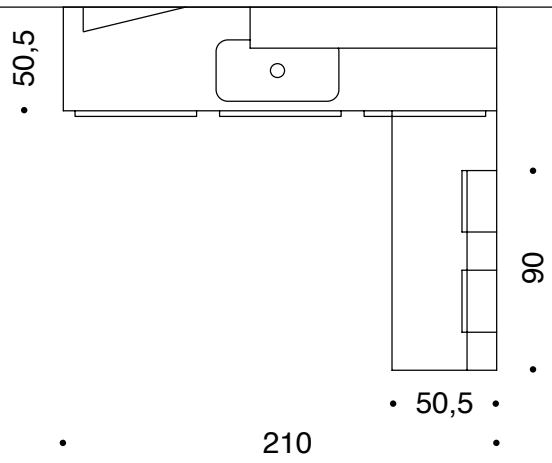
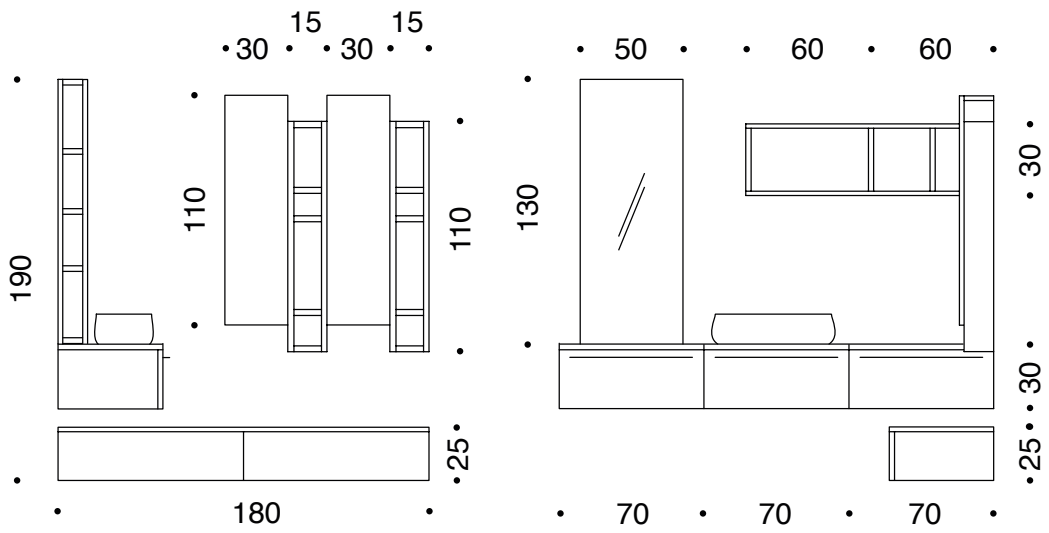
OPEN - COMP. 230



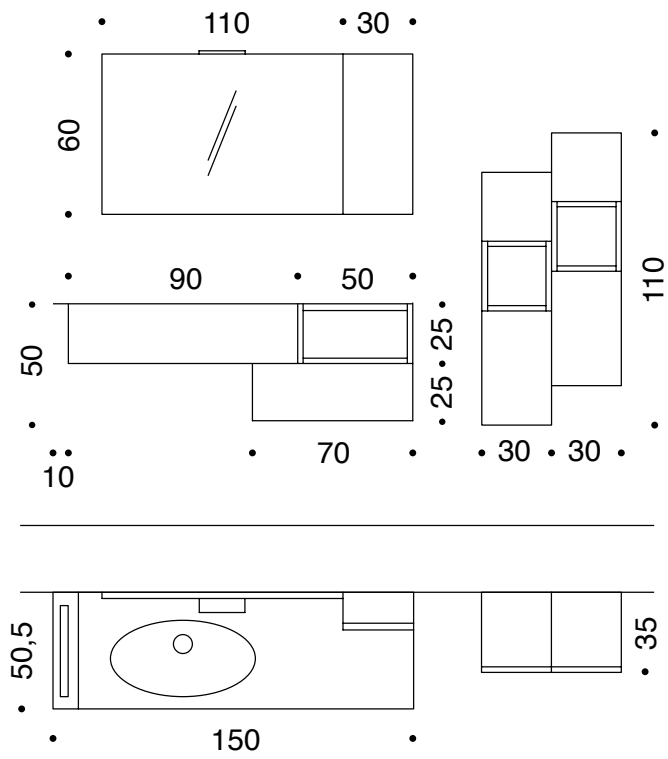
OPEN - COMP. 231



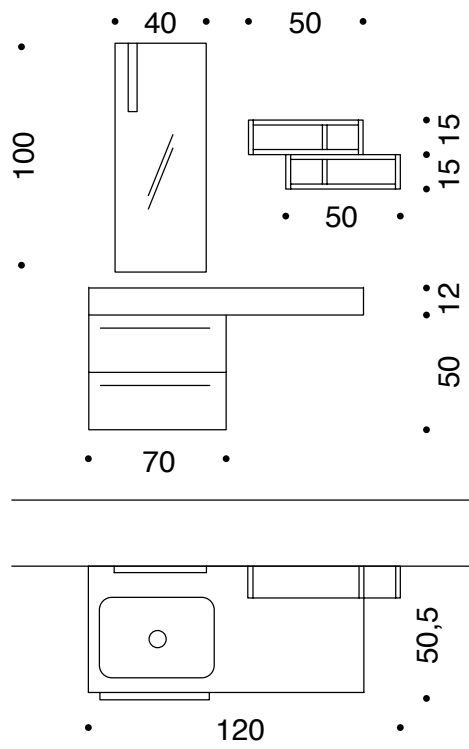
OPEN - COMP. 232



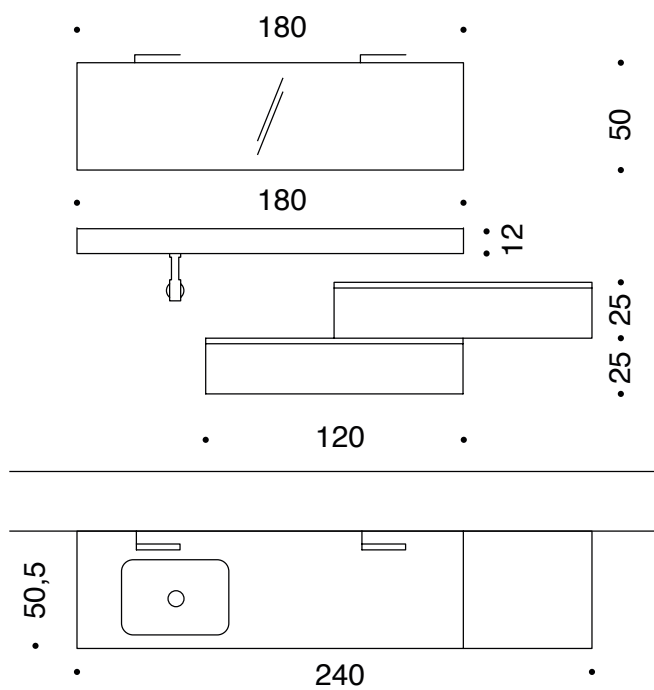
OPEN - COMP. 233



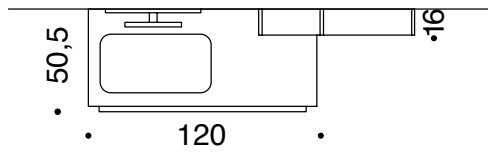
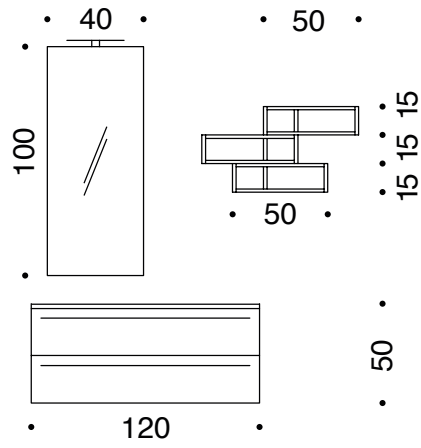
OPEN - COMP. 234



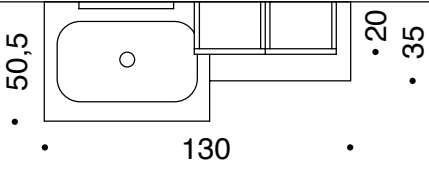
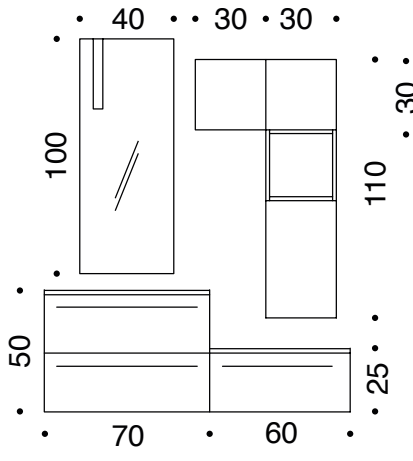
OPEN - COMP. 235



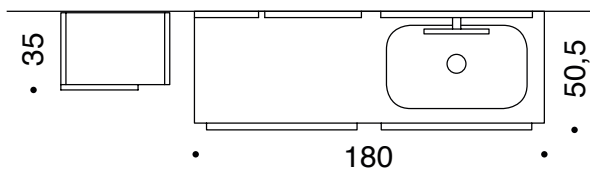
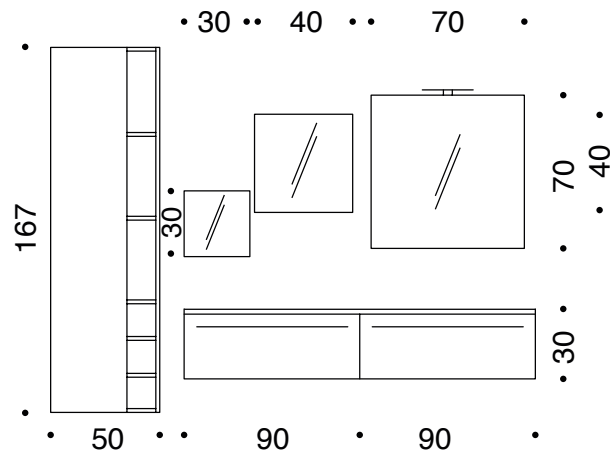
OPEN - COMP. 236



OPEN - COMP. 237



OPEN - COMP. 238



OPEN - COMP. 239

